



ANTONIO ZAMPERLA S.p.A.
via M.te Grappa 15/17 - 36077 Altavilla Vicentina, Italy
ph +39 0444 998400 | fax +39 0444 573720
zamperla@zamperla.it | www.zamperla.com
Capitale Sociale € 4.648.500 i.v.
C.F. - P. IVA/VAT IT 00655110245 | C.C.I.A.A. Vicenza | R.E.A 145162

Bulletin No: 2016 CB01
Release Date: February 1, 2016
Effective Date: February 1, 2016
Supersedes: n/a
Completion Date: During 2016
Page: 1 of 3

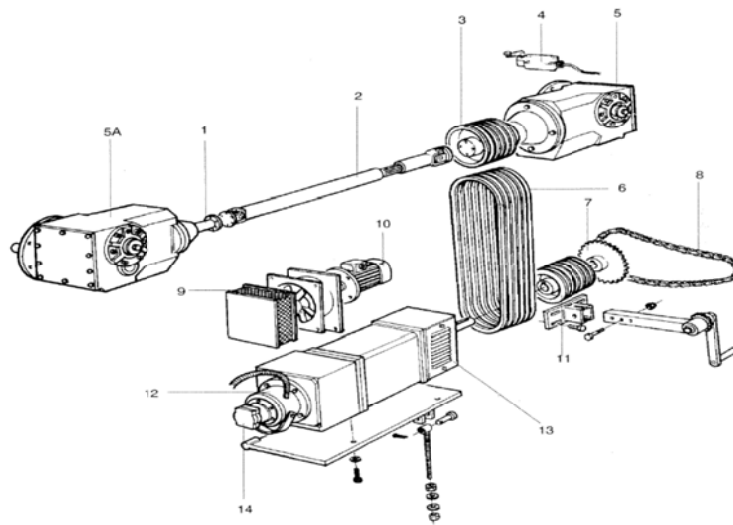
SERVICE BULLETIN

Ride Manufacturer: A. Zamperla SpA	Affected Production Dates: ALL
Ride Name: Crazy Bus, Crazy Sub, Crazy Plane, Fire Chief	Affected Serial Nos.: ALL
Model Number: Crazy Bus, Crazy Sub, Crazy Plane, Fire Chief	
Abstract Of Issue: Installation of the redundancy kit.	
Reason For Release: To introduce a redundant safety system to the drive train.	
Action To Be Taken: Use the attached page to determine the version of your ride. Contact Zamperla Italy to obtain the correct version Redundancy Kit (provide serial number). Follow the provided procedure to install the redundancy kit on your ride. Procedure will be provided with kit.	
Detail Of Issue: Determine the version of my ride (page 2 of 2). Follow procedure to install the redundancy kit, which will be provided with the kit when it is delivered.	
Future Action To Be Taken: Daily: <ul style="list-style-type: none">- Inspect chain is intact and shows no signs of damage or wear.- Visually inspect torque stripes.- Verify tensioner is adjusted properly. Weekly <ul style="list-style-type: none">- Grease chain.	

How to determine the Version of my ride

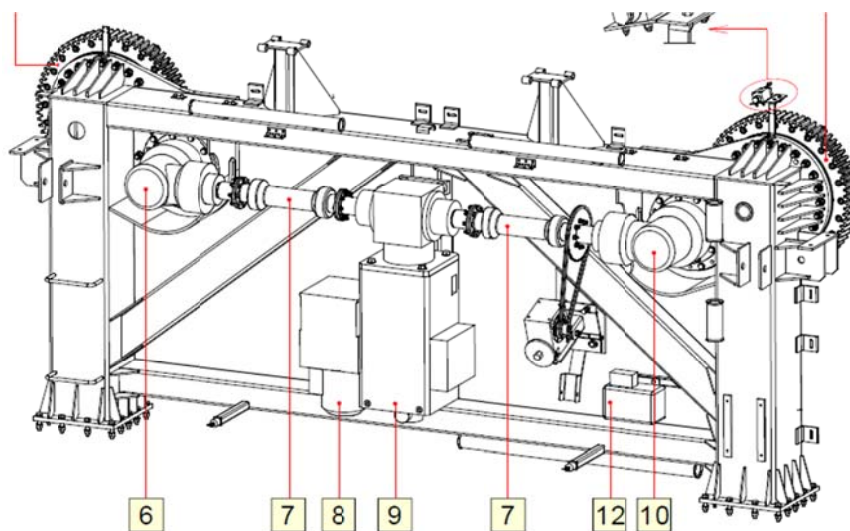
Horizontal Motor “drive belts”

Requires Redundancy Kit 9369232000B



Vertical Motor “no drive belts”

Requires Redundancy Kit 9369235000B



Sample of redundancy kit, depending by the Version of the ride

