



Bulletin No: 2019 MJ01 - Rev. 01

Release Date: November 01, 2019

Effective Date: January 01, 2020

Supersedes: 2019 MJ01

Completion Date: Before 2020 Opening Season

Page: 1 of 13

SERVICE BULLETIN

Ride Manufacturer: A. Zamperla S.p.A.

Affected Production Dates: 2018 and earlier

Ride Name: Mini Jet

Affected Serial Nos.: All Fabricated 2018 and earlier excluding the following Serial Numbers:

Model Number: Mini Jet - All

GMJ06F15185AE, GMJ06F16138DE,
G29617106, G29617239,
G29617254, G59918163, G59918205, G32818226

Abstract Of Issue:

Align older rides with most current non-destructive testing (NDT) and replacement schedule.

Reason For Release:

The purpose of this service bulletin is to align the NDT schedule of the Mini Jet with the current NDT being released in the manuals of the newer Model Year Mini Jet.

Action To Be Taken:

Perform NDT as per the attached schedule before the 2020 operating season.

Replace parts as per attached schedule.

The Items reported on the NDT AND REPLACEMENT SCHEDULE may be used for the 2020 operating season only if the NDT defined for that part is performed and passes.

The items reported on the REPLACEMENT SCHEDULE that are 12 years or older must be replaced for the 2020 season regardless of testing performed.

Detail Of Issue:

Attached document

MINI JET – NDT AND REPLACEMENT SCHEDULE

MJ-01-2019 NDT TEST ACCEPTANCE CRITERIA

Future Action To Be Taken:

Perform NDT as per the attached schedule and attached acceptance criteria.

Replace parts as per attached schedule.

Include this bulletin with all maintenance documents.

MINI JET – NDT AND REPLACEMENT SCHEDULE

NDT SCHEDULE

| Item | Part Number | Component and Location | Image # | Test method code | Test every (Time Code) | Remarks |
|------|-------------|------------------------|---------|------------------|------------------------|---|
| 1 | | Vehicle Support | 1 | VT | M6 | Check welds. Check for cracks, corrosion. |
| | | | | MT | Y4 | |
| 2 | | Tie-Rod Pin | 2 | MT | Y4 | Check for cracks, corrosion. |
| | | | | UT | Y4 | |
| 3 | | Arm Pin | 2 | MT | Y4 | Check for cracks, corrosion. |
| | | | | UT | Y4 | |
| 4 | | Tie-Rod | 3 | VT | M6 | Check welds. Check for cracks, corrosion. |
| | | | | MT | Y4 | |
| 5 | | Arm | 4 | VT | M6 | Check welds. Check for cracks, corrosion. |
| | | | | MT | Y4 | |
| 6 | | Cylinder-Arm Pin | 5 | MT | Y4 | Check for cracks, corrosion. |
| | | | | UT | Y4 | |
| 7 | | Cylinder-Center Pin | 5 | MT | Y4 | Check for cracks, corrosion. |
| | | | | UT | Y4 | |
| 8 | | Rotating Center | 6 | VT | M6 | Check welds. Check for cracks, corrosion. |
| | | | | MT | Y4 | |
| 9 | | Base Frame | 7 | VT | M6 | Check welds. Check for cracks, corrosion. |
| | | | | MT | Y4 | |

| | |
|--|--|
| <p>Time Code M6 = every 6 months Y4 = every 4 years</p> | <p>Test method Code VT = visual inspection (by certified inspector or maintenance mechanic). MT = magnetic particle testing procedure per (UNI EN ISO 17638 (2010)-23278 (2015) lev. 2X or ASTM E709. Acceptance per MJ-01-2019 ZAMPERLA NDT TEST ACCEPTANCE CRITERIA. PT = dye penetrant testing procedure per (EN 571-1 / EN 1289-2X) or ASTM E165. Acceptance per MJ-01-2019 ZAMPERLA NDT TEST ACCEPTANCE CRITERIA. UT = ultrasonic testing procedure per (EN 10308 (2004) CLASS 4) or per AWS D1.1 section 6.14.3. Acceptance per MJ-01-2019 ZAMPERLA NDT TEST ACCEPTANCE CRITERIA.</p> |
|--|--|

REPLACEMENT SCHEDULE

| Item | Part Number | Component and Location | Image # | Replacement every [no. of years] |
|------|-------------|------------------------|---------|----------------------------------|
| 2 | | Tie-Rod Pin | 2 | 12 years |
| 3 | | Arm Pin | 2 | 12 years |
| 6 | | Cylinder-Arm Pin | 5 | 12 years |
| 7 | | Cylinder-Center Pin | 5 | 12 years |
| 10 | | Central Shaft | 8 | 12 years |

Please, contact Zamperla Spare Parts Department with ride serial number to get correct part number.

IMAGE 1 - VEHICLE SUPPORT

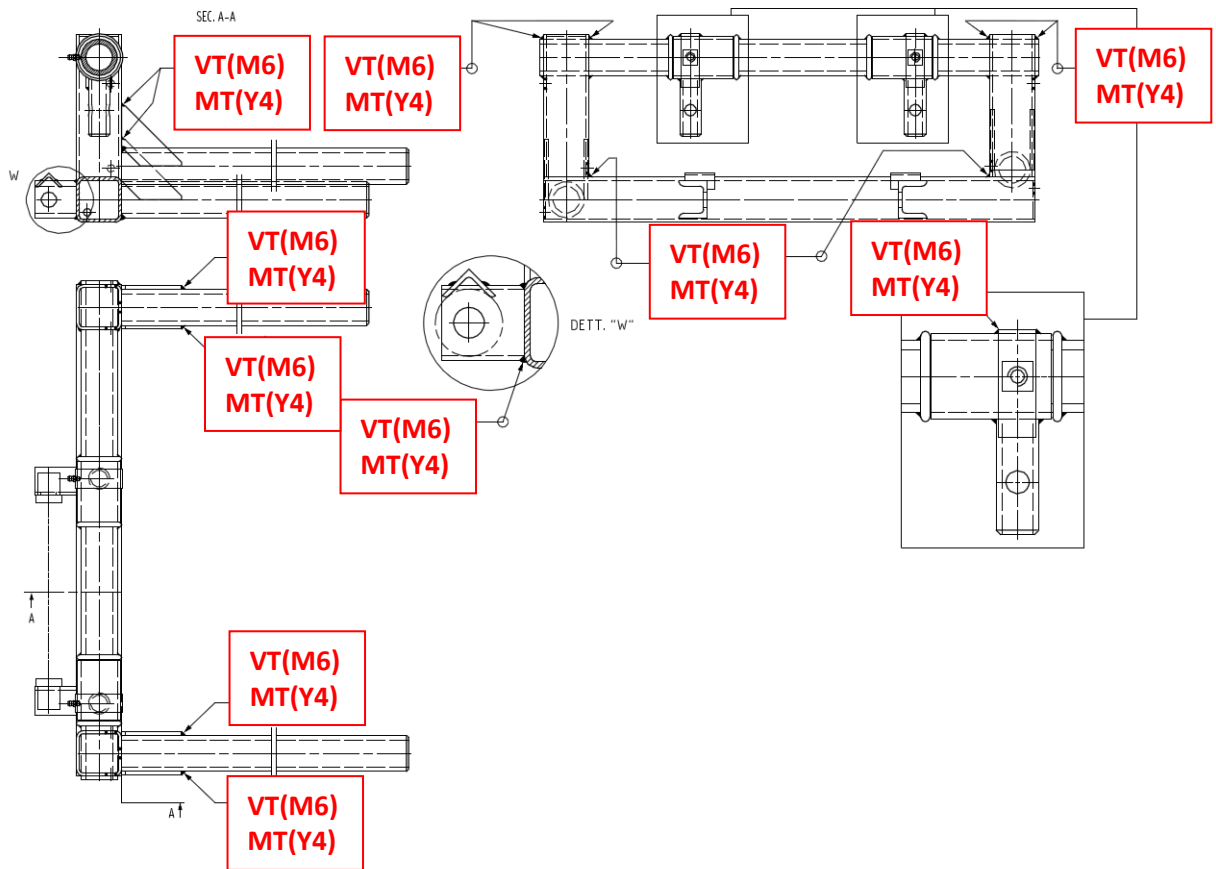
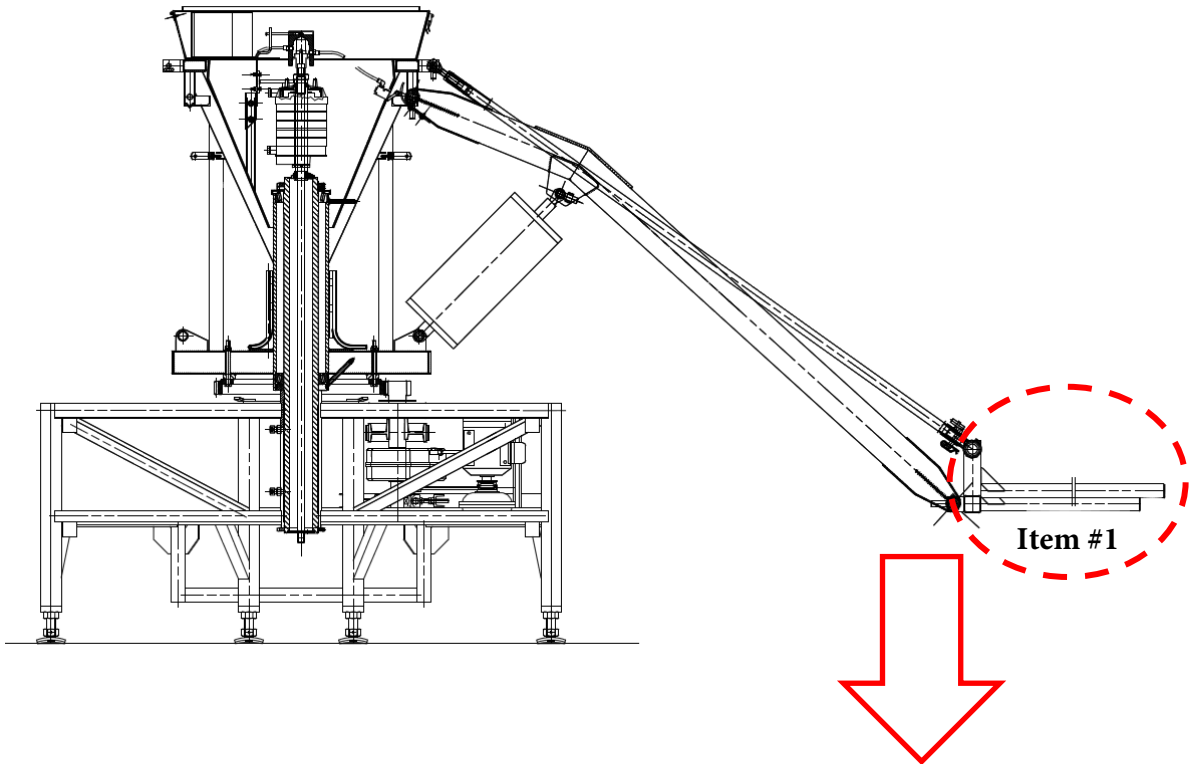


IMAGE 2 - TIE-ROD AND ARM PINS

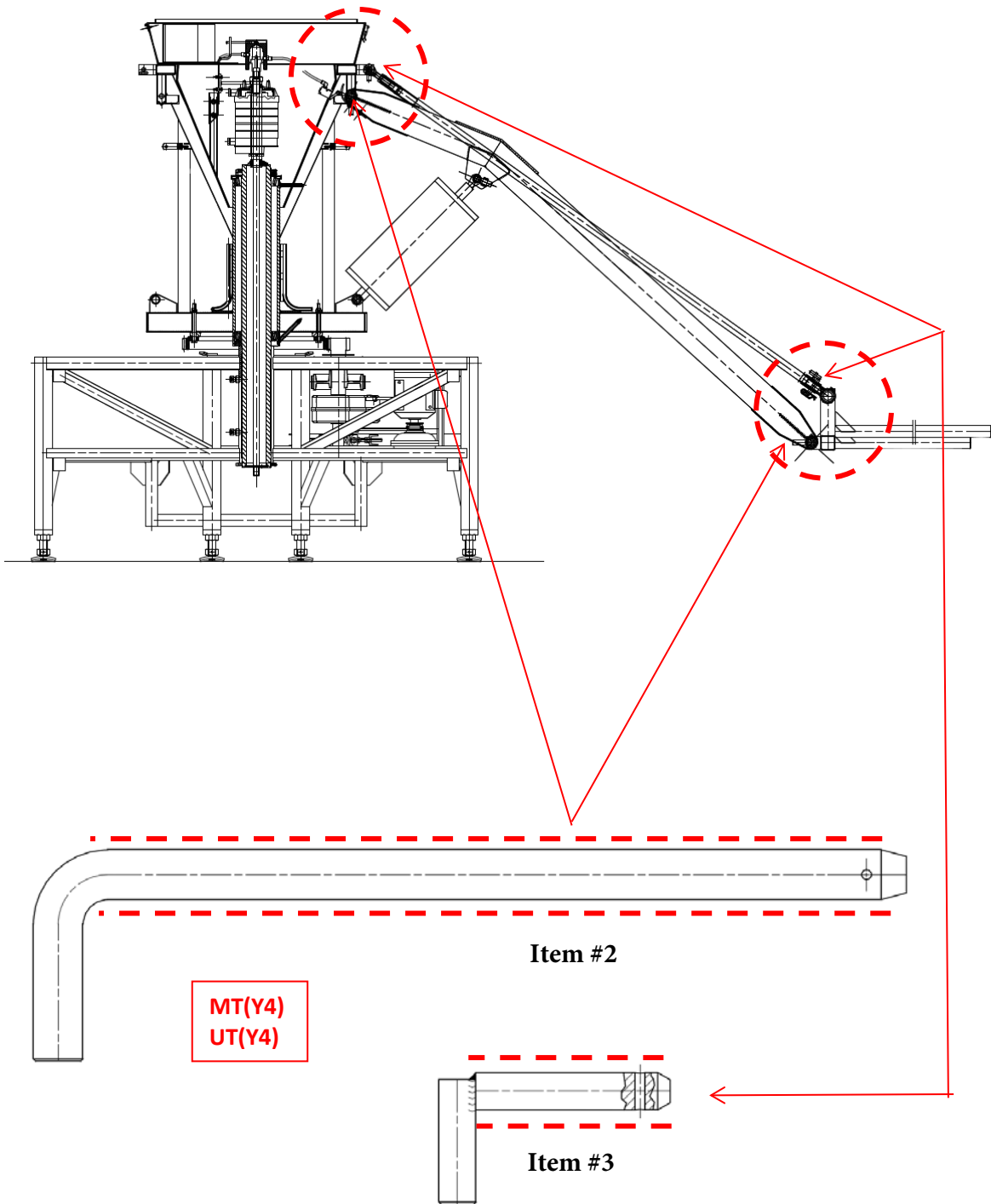


IMAGE 3 - TIE-ROD

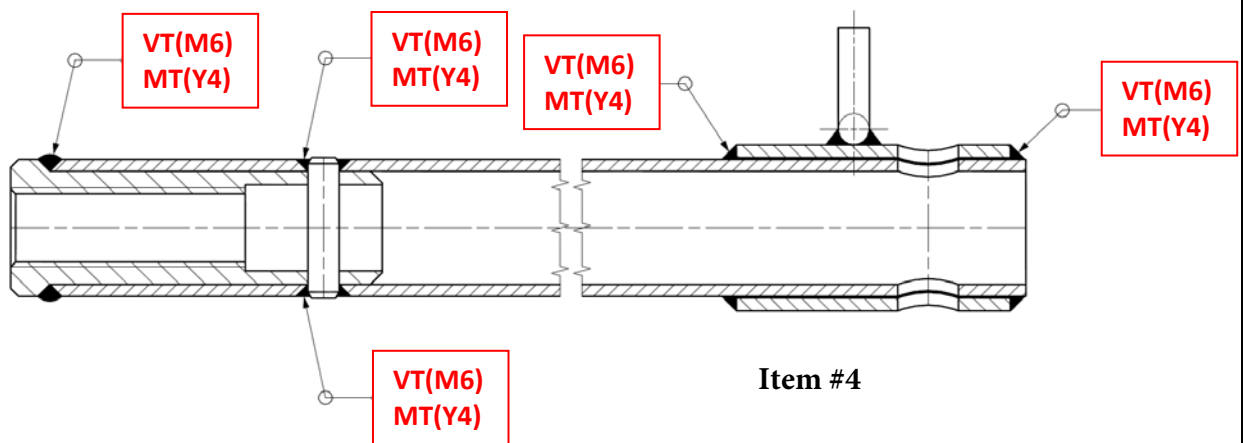
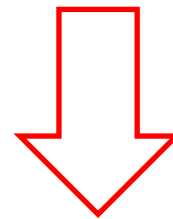
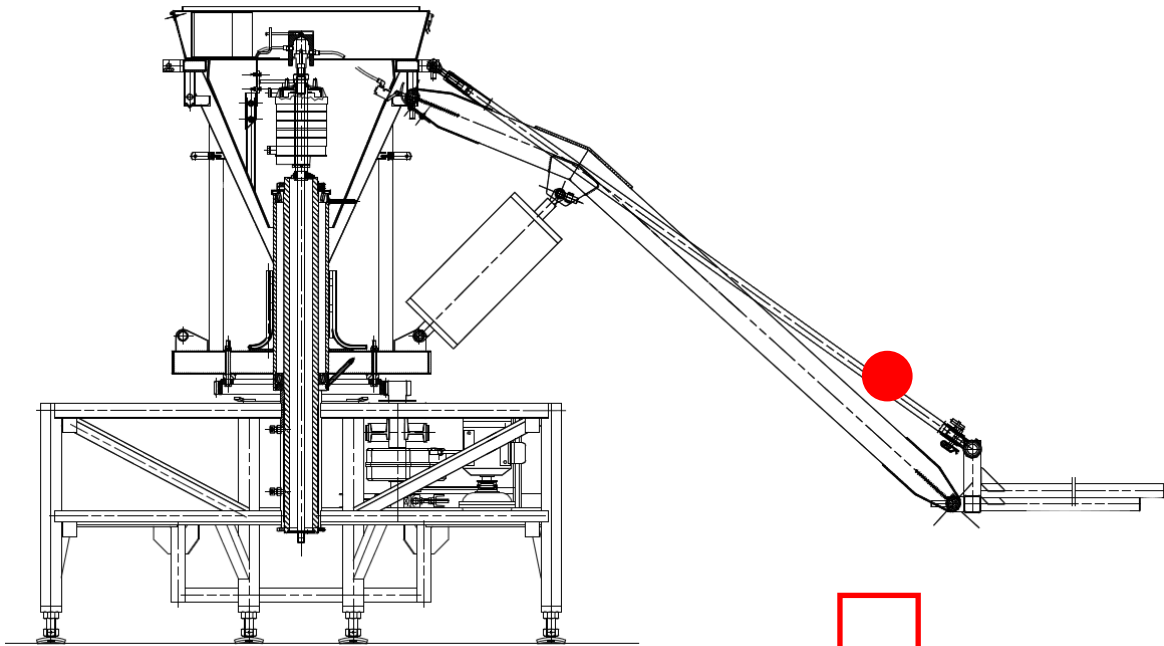


IMAGE 4 - ARM

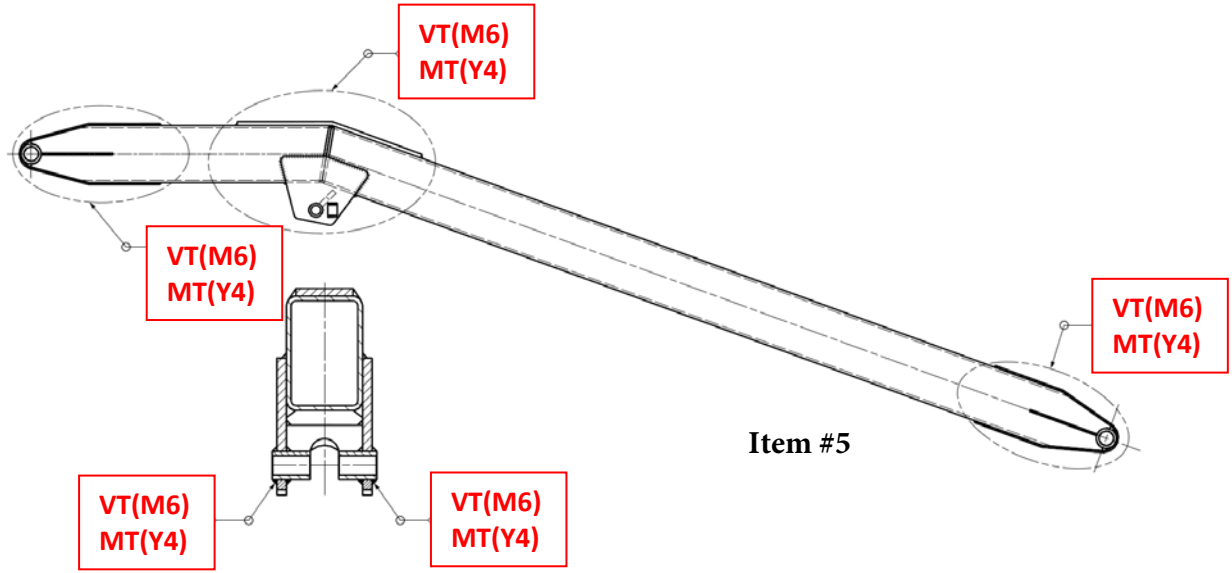
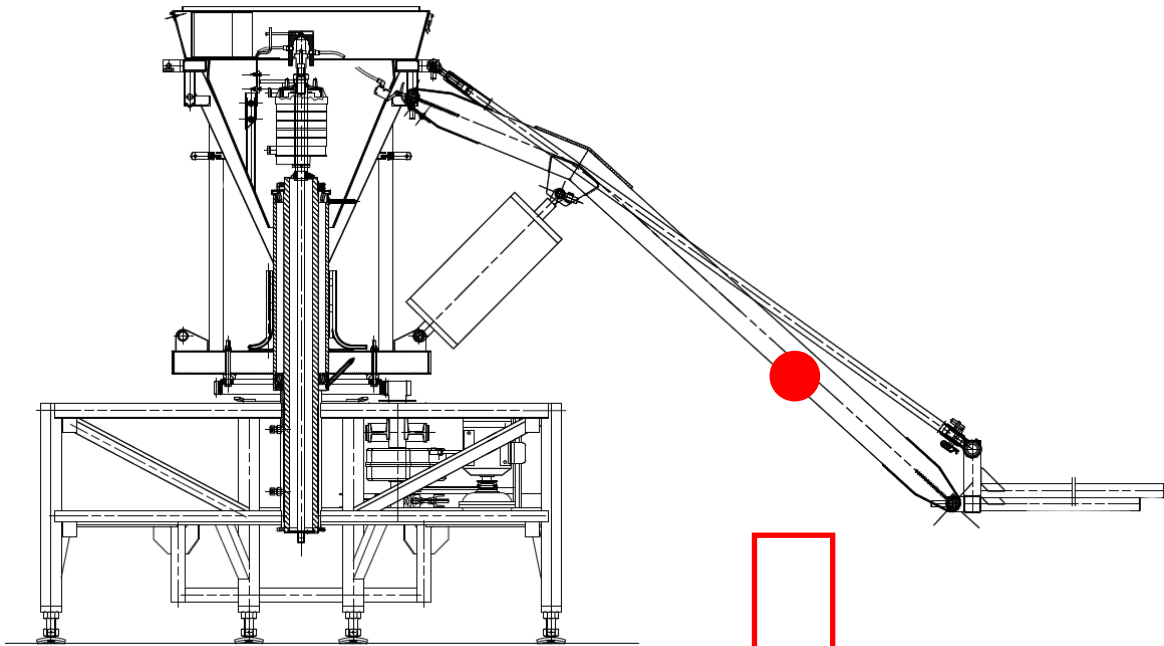
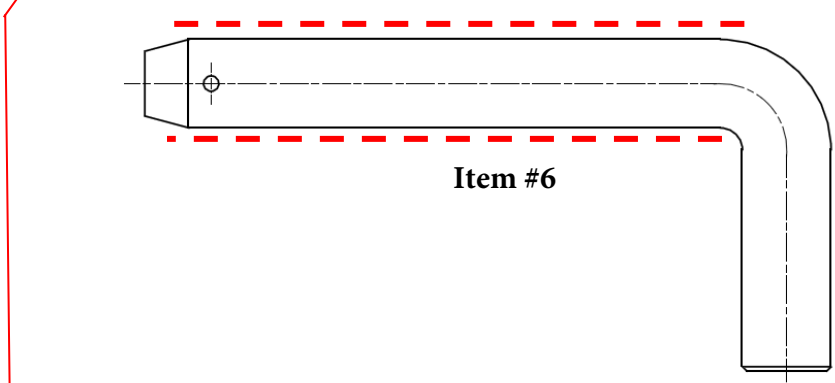
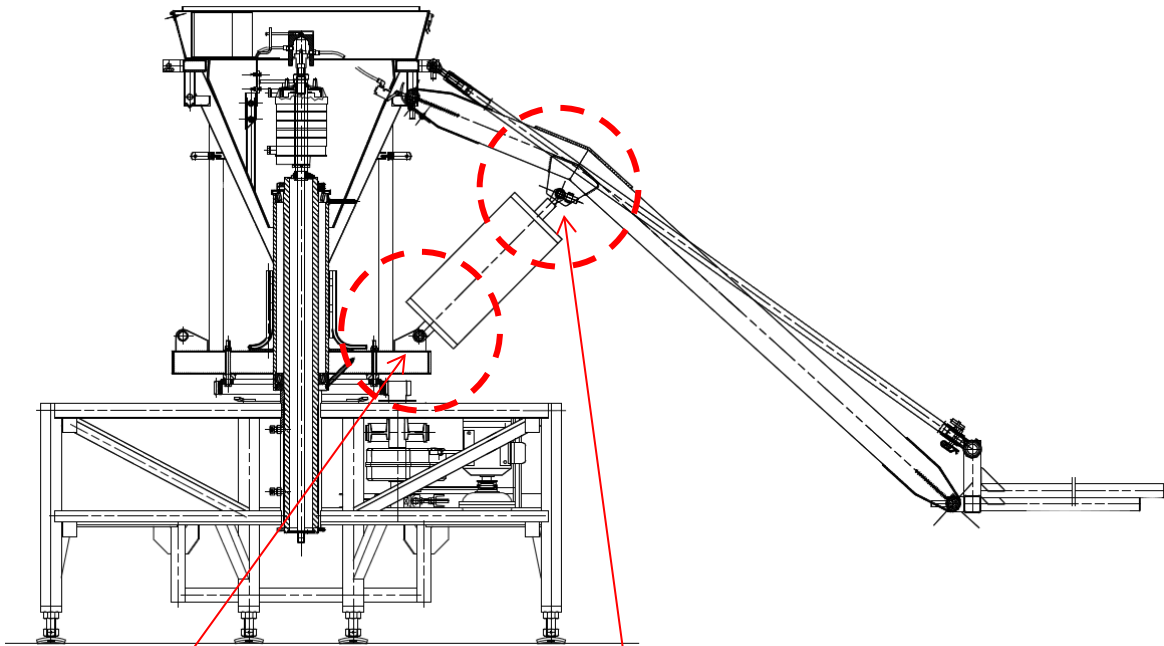
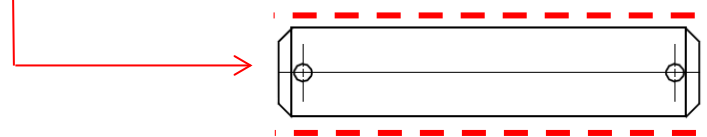


IMAGE 5 - CYLINDER PINS



Item #6

**MT(Y4)
UT(Y4)**



Item #7

IMAGE 6 - ROTATING CENTER

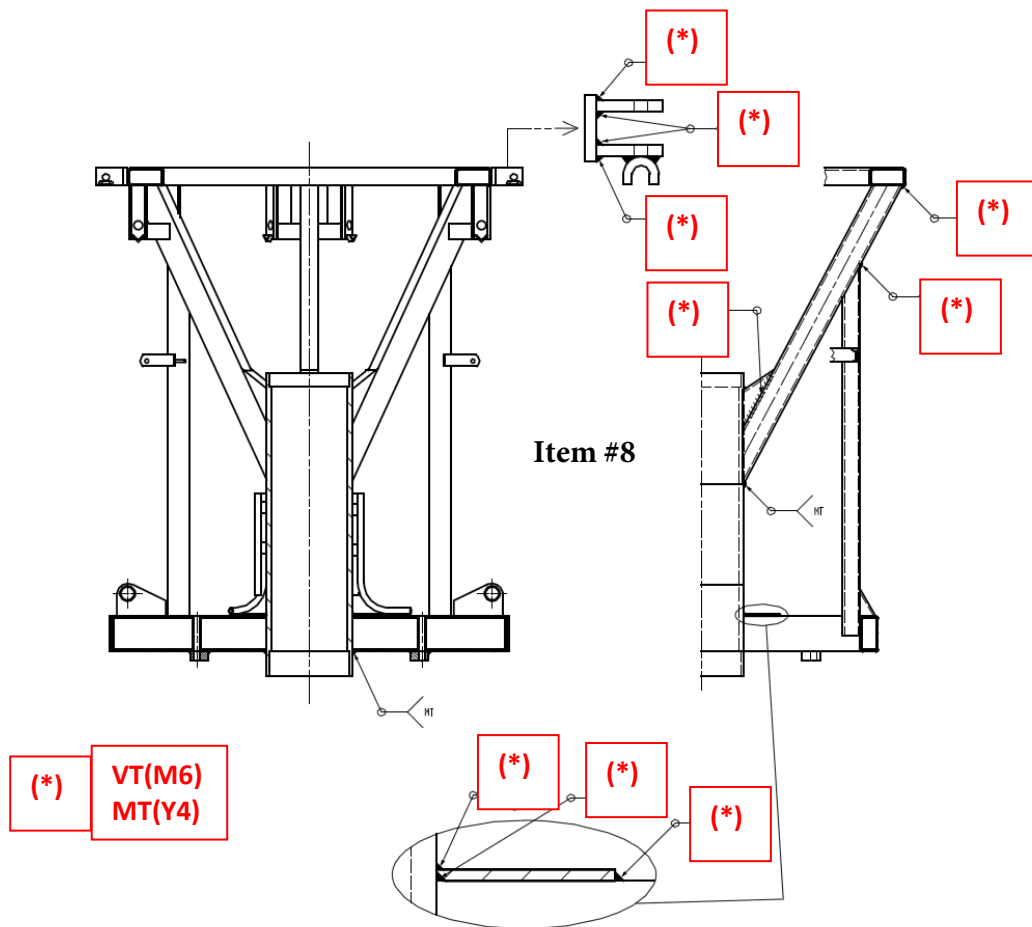
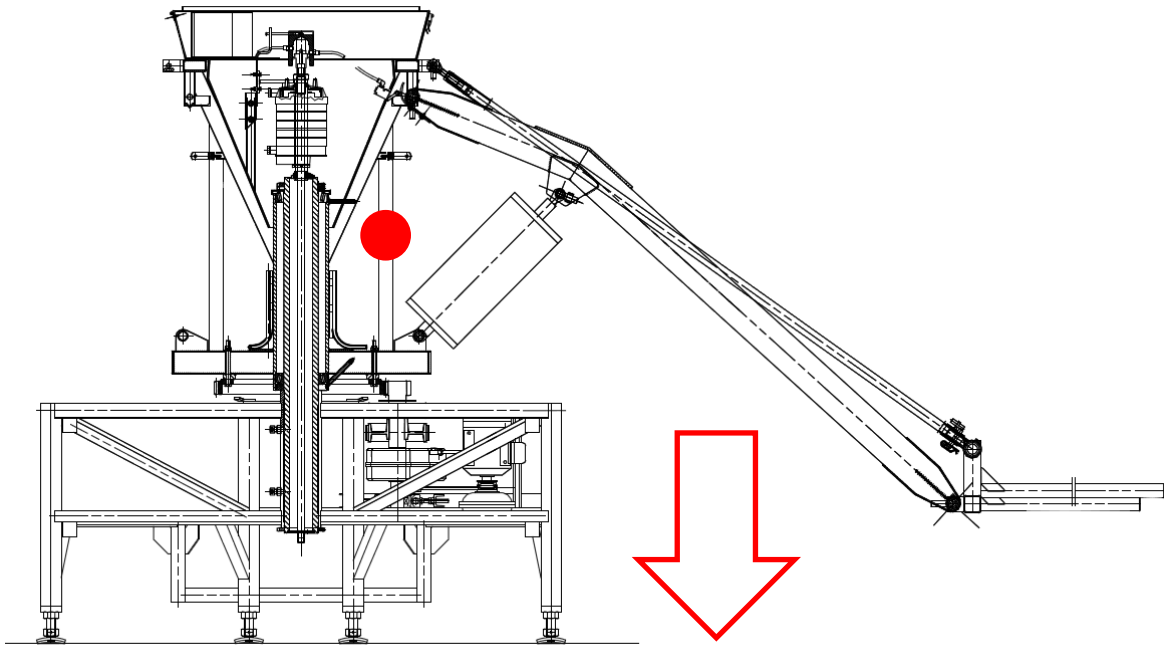
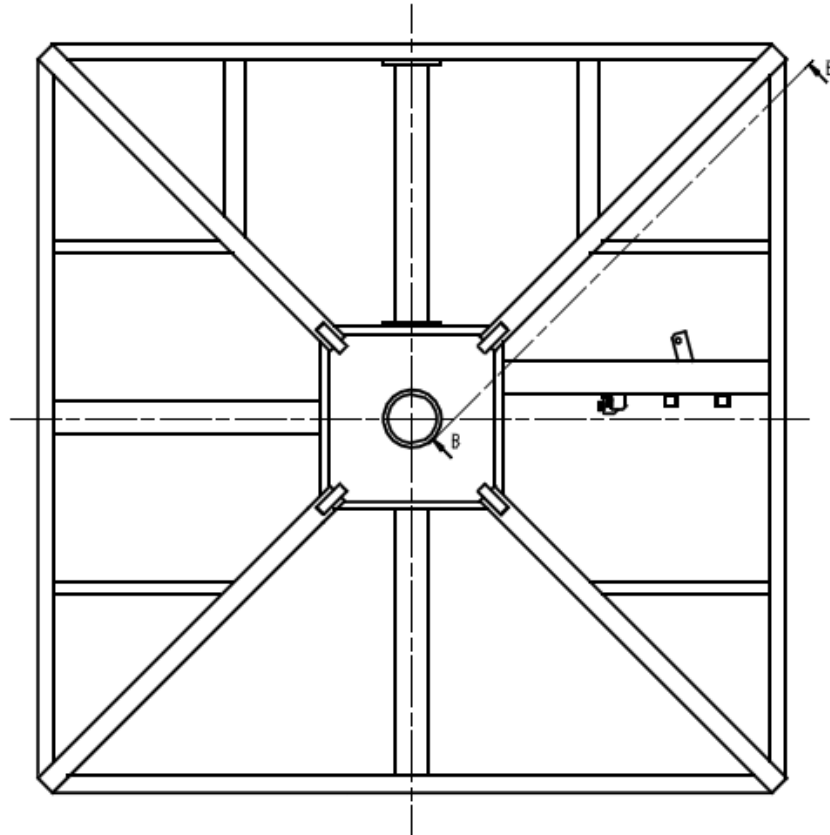
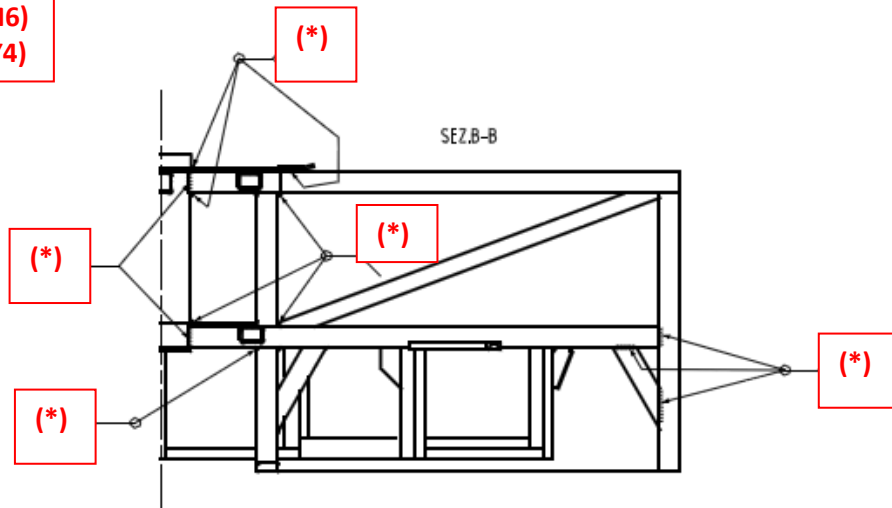


IMAGE 7 - BASE FRAME

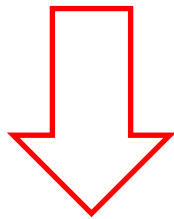
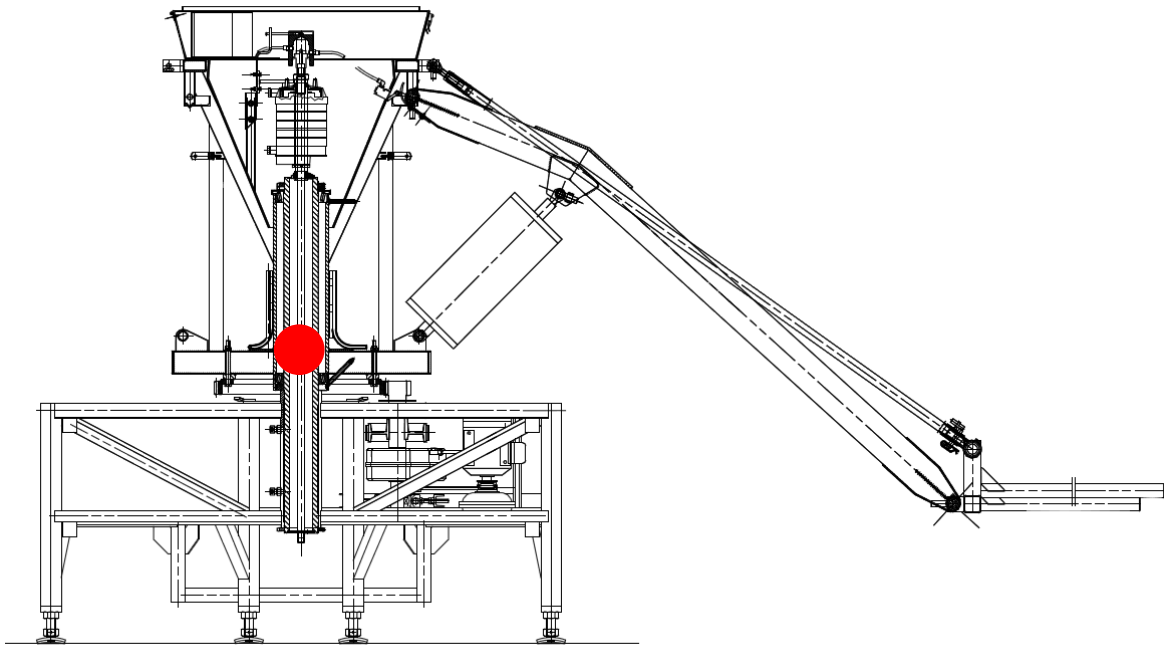


(*) VT(M6)
MT(Y4)

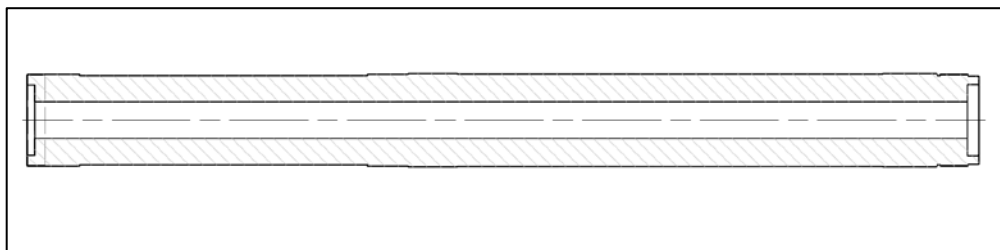


Item #9

IMAGE 8 - CENTRAL SHAFT



Replace every 12 years



Item #10

ZAMPERLA SERVICE BULLETIN MJ-01-2019 NDT TEST ACCEPTANCE CRITERIA

| Tab. X.1 MT-W Magnetic Particle test on steel welds | |
|--|------------------|
| Type of indication | Acceptance Limit |
| Linear indication, l= length of indication (mm) | $l \leq 3$ |
| Non-linear indication, d=major axis dimension (mm) | $d \leq 3$ |

| Tab. X.2 PT-W Dye penetrant test on steel welds | |
|--|------------------|
| Type of indication | Acceptance Limit |
| Linear indication, l= length of indication (mm) | $l \leq 4$ |
| Non-linear indication, d=major axis dimension (mm) | $d \leq 6$ |

| Tab. X.3 Magnetic Test on steel forgings and round bars | |
|--|------------------|
| Parameter | Acceptance Limit |
| Recording level minimum indication length (mm) | 2 |
| Maximum allowable length of isolated indications, L, and maximum allowable length of interacting indication, Lg (mm) | 4 |
| Maximum allowable cumulative length of indications in the reference surface (mm) | 24 |
| Maximum allowable number of indications in the reference surface | 7 |

| Tab. X.4 Dye penetrant test on steel forgings and round bars | |
|--|------------------|
| Parameter | Acceptance Limit |
| Recording Level mm (see Note 2) | ≥ 3 |
| Maximum allowable length L of isolated linear indications and maximum allowable length Lg of interacting indications mm (see note 2) | 4 |
| Maximum allowable cumulative length of linear indications in the reference surface mm (see Note 2) | 24 |
| Maximum allowable size of isolated rounded indications in mm (see note 2) | 8 |
| Maximum allowable number of recordable indication on reference surface (See Note 3) | 7 |
| Note 2 The tabulated values apply to the indication size, not to the surface extent of the flaw. | |
| Note 3 Reference surface = 148mm x 105mm (i.e. A6 format) | |

| Tab. X.5 UT-F Ultrasonic test examination by manual probe on ferritic and martensitic steel forgings | |
|--|------------------|
| Parameter | Acceptance limit |
| Recording Level Equivalent Flat-bottomed holes (EFBH) d_{eq} in mm (See Note 1) | > 3 |
| Ratio R for rapid backwall echo reduction (See notes 2 and 3) | ≤ 0.5 |
| Acceptance Criteria | ≤ 5 |
| EFBH (Isolated point type discontinuities) d_{eq} in mm (See Note 1) | ≤ 3 |
| EFBH (Extended or grouped point type discontinuities) d_{eq} in mm (See Note 1) | ≤ 3 |
| Note 1 d_{eq} = diameter of equivalent flat-bottomed hole. | |
| Note 2 $R = F_n / F_{o,n}$ where: $n=1$ for $t \geq 60$ mm $n=2$ for $t < 60$ mm F_n = amplitude (Screen Height) of the n^{th} reduced backwall echo $F_{o,n}$ = amplitude (Screen height) of the n^{th} backwall echo in the nearest discontinuity-free area at the same range as F_n | |
| Note 3 if the reduction in backwall echo exceeds the recording level, this shall be further investigated. Ratio R applies only to rapid reduction of backwall echo caused by the presence of a discontinuity. | |

Tab. X.6 UT-R Ultrasonic test examination by manual probe on round elements ferritic and martensitic steel bars

| Parameter | Acceptance Limit |
|--|------------------------------|
| Recording Level Equivalent Flat-bottomed holes (EFBH) d_{eq} in mm (See Note 1) | > 3 |
| Ratio R for rapid backwall echo reduction (See notes 2 and 3) | ≤ 0.5 |
| Acceptance Criteria | ≤ 5 |
| EFBH (Isolated point type discontinuities) d_{eq} in mm (See Note 1) | ≤ 3 |
| EFBH (Extended or grouped point type discontinuities) d_{eq} in mm (See Note 1) | |
| <p>Note 1 d_{eq} = diameter of equivalent flat-bottomed hole.</p> <p>Note 2 $R = F_n/F_{o,n}$ where: $n=1$ for $t \geq 60\text{mm}$ $n=2$ for $t < 60\text{mm}$ F_n = amplitude (Screen Height) of the n^{th} reduced backwall echo $F_{o,n}$ = amplitude (Screen height) of the n^{th} backwall echo in the nearest discontinuity-free area at the same range as F_n</p> <p>Note 3 if the reduction in backwall echo exceeds the recording level, this shall be further investigated. Ratio R applies only to rapid reduction of backwall echo caused by the presence of a discontinuity.</p> | |